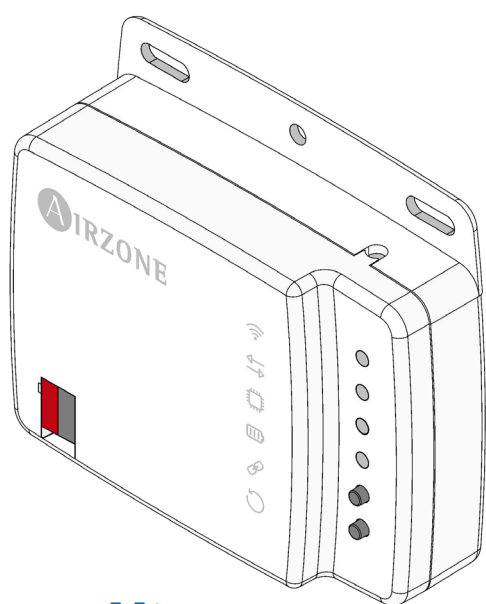




EN

Integration manual

Aidoo KNX controller



AIRZONE

CONTENTS

WARNINGS AND ENVIRONMENTAL POLICY	3
> Precautions	3
> Environmental policy	3
GENERAL REQUIREMENTS	3
INTRODUCTION	4
ASSEMBLY	4
CONNECTION	4
CONFIGURATION	4
COMMUNICATION OBJECTS	5
> Default communication objects	5
> Configuration parameters	7
> General	8
> Mode configuration	8
> Fan configuration	11
> Temperature configuration	15
> Timeouts configuration	16
> Scenes configuration	17
> Inputs configuration	18
> Communication objects	20
KNX PARAMETERS FOR DAIKIN	22
> DAO protocol	22
> DA1 protocol	25

Warnings and environmental policy

PRECAUTIONS

For your security, and to protect the devices, follow these instructions:

- Do not handle the system with wet or damp hands.
- Disconnect the power supply before making any connections.
- Take care not to cause a short circuit in any of the system connections.

ENVIRONMENTAL POLICY

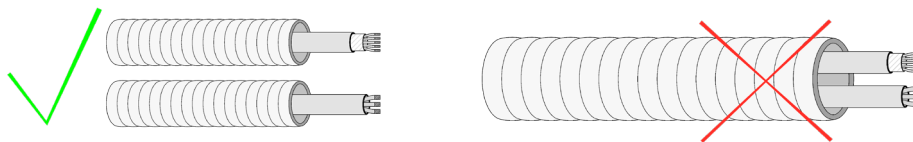


Do not dispose of this equipment in the household waste. Electrical and electronic equipment contain substances that may damage the environment if they are not handled appropriately. The symbol of a crossed-out waste bin indicates that electrical equipment should be collected separately from other urban waste. For correct environmental management, it must be taken to the collection centers provided for this purpose, at the end of its useful life. The equipment's components may be recycled. Act in accordance with current regulations on environmental protection. If you replace it with other equipment, you must return it to the distributor or take it to a specialized collection center. Those breaking the law or by-laws will be subject to such fines and measures as are laid down in environmental protection legislation.

General requirements

Strictly follow the directions outlined in this manual:

- This system must be installed by a qualified technician.
- Verify that the units to be controlled have been installed according to the manufacturer's requirements and operate correctly before installing the Airzone System.
- Locate and connect all the devices of the installation in accordance with the electronic regulations in force.
- Verify that the air conditioning installation to be controlled is in accordance with the regulations in force.
- Perform all the connections with total absence of power supply.
- Do not place the system bus close to lines of force, fluorescent lights, LED lamps, motors, etc. It might cause interference on the communications.

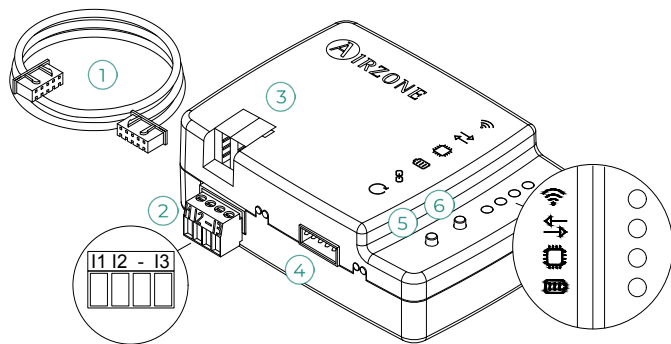


- Respect the connection polarity of each device. A wrong connection may seriously damage the product.

Introduction

Device to manage and integrate HVAC units in KNX TP-1 control systems. Externally powered by the indoor unit.
Features:

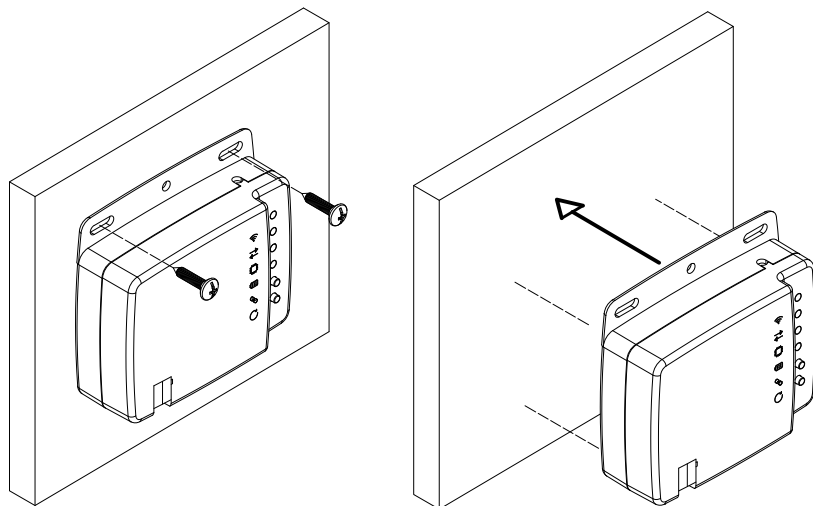
- Control of the parameters of the unit.
- KNX Control.
- KNX standard data.
- 3 digital inputs.
- Easily configurable from ETS.
- Communication errors detection.



Meaning	
①	Indoor unit wire
	Digital input 1
②	Digital input 2
	Common input
	Digital input 3
③	KNX Connection
④	Indoor unit port
⑤	Device reboot
⑥	Enable KNX programming

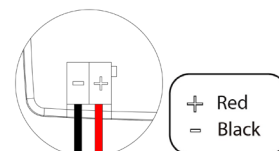
Assembly

The device can be mounted using screws or double-sided adhesive tape (included with the product).



Connection

To connect the device to the AC unit, follow the instructions on the technical data sheet that comes with the Aidoo.
It has a standard KNX connector for connecting to the KNX bus. Connect the Aidoo to the KNX TP-1 bus, following the color code.



Configuration

This device is totally compatible with KNX, so you can configure it and set it up through ETS tool.
To do this, download the product database at:
http://doc.airzone.es/producto/Gama_AZ6/Airzone/Aidoo/BBDD_AZAI6KNX.zip
The installation of the database in the ETS tool is carried out following the usual procedure for importing new products.

Communication objects

The Aidoo KNX device has a series of communication objects available for configuration by default (see the [Default communication objects](#) section). If you wish to use all the communication objects contained in this device, go to the Parameters tab in order to enable them (see the [Configuration Parameters](#) section for more information).

IMPORTANT: The number of functionalities that can be controlled by the different communication objects offered by the Aidoo KNX device will depend on the particular AC unit being controlled.

To view all the communication objects available on the Aidoo KNX device, please go to [Annexes – Index - Communication Objects](#) for more information.

DEFAULT COMMUNICATION OBJECTS

The default communication objects available in ETS for the Aidoo KNX device are:

Object number	1: Control On/Off	
Description	This allows you to switch the AC unit on or off	
Values	0 -> Off	1 -> On
Type of access to the Bus	Write	
Data point identification	1.001 (DPT_Switch)	

Object number	2: Control Mode	
Description	This allows you to change the AC unit's operating mode. Changing the value of the object will change the mode	
Values	0 -> Auto 1 -> Heat 3 -> Cool	9 -> Fan 14 -> Dry
Type of access to the Bus	Write	
Data point identification	20.105 (DPT_HVACContrMode)	

Object number	12: Control fan speed / 3 speed	
Description	This allows you to change the AC unit's ventilation speed. Changing the value of the object will change the ventilation speed	
Values	0...49% -> Speed 1 50...82% -> Speed 2 83...100% -> Speed 3	1 -> Speed 1 2 -> Speed 2 3 -> Speed 3
Type of access to the Bus	Write	
Data point identification	5.001 (DPT_Scalling)	5.010 (DPT_Enumerated)

Note: You can configure the object type in the Fan Configuration section, under the Parameters tab in ETS. By default it is configured as Datapoint 5.001 (percentage control). See the [Configuration Parameters – Fan Configuration](#) section for more information.

Object number	18: Control Vanes U-D/5 pos	
Description	This allows you to change the position of the slats in the AC unit. Changing the value of the object will change the position of the slats	
Values	0%...29% -> Position 1 30%...49% -> Position 2 50%...69% -> Position 3 70%...89% -> Position 4 90%...100% -> Position 5	1 -> Position 1 2 -> Position 2 3 -> Position 3 4 -> Position 4 5 -> Position 5
Type of access to the Bus	Write	
Data point identification	5.001 (DPT_Scalling)	5.010 (DPT_Enumerated)

Note: Configure the object type in the Vanes Up-Down configuration section, under the Parameters tab in ETS. By default it is configured as Datapoint 5.001 (percentage control). See the [Configuration Parameters – Vanes Up-Down configuration](#) section for more information.

Object number	27: Control Setpoint Temperature	
Description	This allows you to select the AC unit's setpoint temperature in increments of 1°C	
Values	Varies depending on manufacturer and type of AC unit	
Type of access to the Bus	Write	
Data point identification	9.001 (DPT_Value_Temp)	

Object number	51: Status On/Off	
Description	This displays the status of the AC unit (on or off)	
Valores disponibles	0 -> Off	1 -> On
Tipo de acceso al bus	Reading	
Identificación Datapoint	1.001 (DPT_Switch)	

Object number	52: Status mode	
Description	Position	
Values	0 -> Auto 1 -> Heat 3 -> Cool	9 -> Fan 14 -> Dry
Type of access to the Bus	Reading	
Data point identification	20.105 (DPT_ Hvaccontrmode)	

Object number	60: Status Fan speed / 3 speed	
Description	This displays the AC unit's ventilation speed	
Values	33% -> Speed 1 67% -> Speed 2 100% -> Speed 3	1 -> Speed 1 2 -> Speed 2 3 -> Speed 3
Type of access to the Bus	Reading	
Data point identification	5.001 (DPT_Scalling)	5.010 (DPT_Enumerated)

Note: Configure the object type in the Vanes Up-Down configuration section, under the Parameters tab in ETS. By default it is configured as Datapoint 5.001 (percentage control). See the [Configuration Parameters – Vanes Up-Down configuration](#) section for more information.

Object number	66: Status Vanes U-D/5Pos	
Description	This displays the position of the AC unit's slats	
Values	20% -> Position 1 40% -> Position 2 60% -> Position 3 80% -> Position 4 100% -> Position 5	1 -> Position 1 2 -> Position 2 3 -> Position 3 4 -> Position 4 5 -> Position 5
Type of access to the Bus	Reading	
Data point identification	5.001 (DPT_Scalling)	5.010 (DPT_Enumerated)

Note: Configure the object type in the Vanes Up-Down configuration section, under the Parameters tab in ETS. By default it is configured as Datapoint 5.001 (percentage control). See the [Configuration Parameters – Vanes Up-Down configuration](#) section for more information.

Object number	75: Status AC Setpoint Temperature	
Description	This displays the setpoint temperature selected for the AC unit (°C)	
Values	Varies depending on manufacturer and type of AC unit	
Type of access to the Bus	Reading	
Data point identification	9.001 (DPT_Value_Temp)	

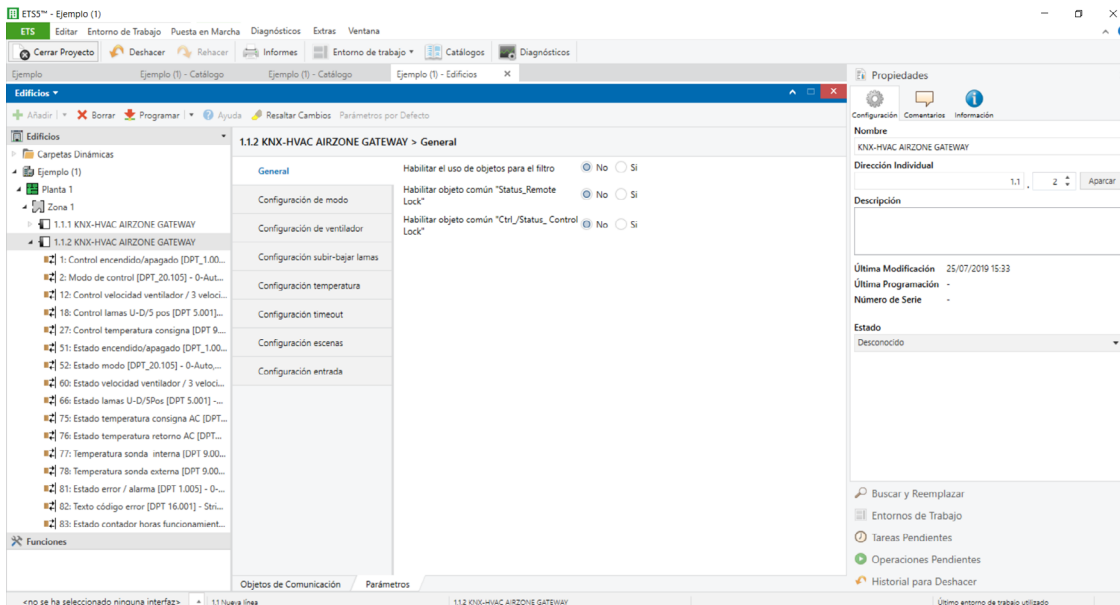
Object number	76: Status AC Return Temperature	
Description	This displays the AC unit's return temperature (°C)	
Values	Varies depending on manufacturer and type of AC unit	
Type of access to the Bus	Reading	
Data point identification	9.001 (DPT_Value_Temp)	

Object number	77: Internal probe temperature	
Description	This displays the temperature measured by the AC unit's internal probe (°C)	
Values	Varies depending on manufacturer and type of AC unit	
Type of access to the Bus	Reading	
Data point identification	9.001 (DPT_Value_Temp)	

Object number	78: External probe temperature
Description	This displays the temperature measured by the AC unit's external probe (°C)
Values	Varies depending on manufacturer and type of AC unit
Type of access to the Bus	Reading
Data point identification	9.001 (DPT_Value_Temp)
Object number	81: Status Error/Alarm
Description	This shows whether or not an error has occurred in the AC unit
Values	0 -> No error/alarm 1 -> An error/alarm has occurred
Type of access to the Bus	Reading
Data point identification	1.005 (DPT_Alarm)
Object number	82: Error text code
Description	This displays the text of the error that has occurred in the AC unit
Values	Varies depending on manufacturer and type of AC unit
Type of access to the Bus	Reading
Data point identification	16.001 (DTP_String_8859_1)
Object number	83: Status Operation Hour Counter
Description	This displays the AC unit's number of operating hours
Values	Number of operating hours
Type of access to the Bus	Reading
Data point identification	13.100 (DPT_Value_2_Ucount)

CONFIGURATION PARAMETERS

The Aidoo KNX device has a series of communication objects that can be enabled for use via the Parameters tab in ETS.



Object number	53: Status Mode Cool/Heat
Description	This displays the operating mode (Cooling or Heating) currently selected for the AC unit
Values	0 -> Cool 1 -> Heat
Type of access to the Bus	Reading
Data point identification	1.100 (DPT_Heat/Cool)

- Enable PID-Compat Scaling Mode Objects

Object number	4: Control Mode Cool & On
Description	This allows you to switch the AC unit on or off, with the selected operating mode being Cooling
Values	0 -> Off 1... 100% -> On + Cool
Type of access to the Bus	Write
Data point identification	5.001 (DPT_Scaling)

Object number	5: Control Mode Heat & On
Description	This allows you to switch the AC unit on or off, with the selected operating mode being Heating
Values	0 -> Off 1... 100% -> On + Heat
Type of access to the Bus	Write
Data point identification	5.001 (DPT_Scaling)

- Enable use of bit-type Mode objects

Object number	6: Control Mode Auto
Description	This allows you to select the Auto mode as the AC unit's operating mode
Values	1 -> Mode Auto
Type of access to the Bus	Write
Data point identification	1.002 (DPT_Bool)

Object number	7: Control Mode heat
Description	This allows you to select the Heating mode as the AC unit's operating mode
Values	1 -> Mode Heat
Type of access to the Bus	Write
Data point identification	1.002 (DPT_Bool)

Object number	8: Control Mode Cool
Description	This allows you to select the Cooling mode as the AC unit's operating mode
Values	1 -> Mode Cool
Type of access to the Bus	Write
Data point identification	1.002 (DPT_Bool)

Object number	9: Control Mode Fan
Description	This allows you to select the Ventilation mode as the AC unit's operating mode
Values	1 -> Mode Fan
Type of access to the Bus	Write
Data point identification	1.002 (DPT_Bool)

Object number	10: Control Mode Dry
Description	This allows you to select the Dry mode as the AC unit's operating mode
Values	1 -> Mode Dry
Type of access to the Bus	Write
Data point identification	1.002 (DPT_Bool)

Object number	54: Status Mode Auto
Description	This shows that the operating mode currently selected for the AC unit is Auto mode
Values	1 -> Mode Auto
Type of access to the Bus	Reading
Data point identification	1.002 (DPT_Bool)

Object number	55: Status Mode Heat
Description	This shows that the operating mode currently selected for the AC unit is Heating mode
Values	1 -> Mode Heat
Type of access to the Bus	Reading
Data point identification	1.002 (DPT_Bool)

Object number	56: Status Mode Cool
Description	This shows that the operating mode currently selected for the AC unit is Cooling mode
Values	1 -> Mode Cool
Type of access to the Bus	Reading
Data point identification	1.002 (DPT_Bool)

Object number	57: Status Mode Fan
Description	This shows that the operating mode currently selected for the AC unit is Ventilation mode
Values	1 -> Mode Fan
Type of access to the Bus	Reading
Data point identification	1.002 (DPT_Bool)

Object number	58: Status Mode Dry
Description	This shows that the operating mode currently selected for the AC unit is Dry mode
Values	1 -> Mode Dry
Type of access to the Bus	Reading
Data point identification	1.002 (DPT_Bool)

- Enable use of +/- object for mode

Select whether you want to use Datapoint DPT 1.007 (0 = Decrease) or DTP 1.008 (0 = Increase).

Object number	11: Control Mode +/-	
Description	This allows you to modify the system's operating mode	
Values	0 -> Decrease 1 -> Increase	0 -> Increase 1 -> Decrease
Type of access to the Bus	Write	
Data point identification	1.007 (DPT_Step)	1.008 (DPT_UpDown)

Object number	62: Status Fan Speed 1
Description	This shows whether the AC unit's ventilation speed is set to Speed 1
Values	1 -> Speed 1
Type of access to the Bus	Reading
Data point identification	1.002 (DPT_Bool)

Object number	63: Status Fan Speed 2
Description	This shows whether the AC unit's ventilation speed is set to Speed 2
Values	1 -> Speed 2
Type of access to the Bus	Reading
Data point identification	1.002 (DPT_Bool)

Object number	64: Status Fan Speed 3
Description	This shows whether the AC unit's ventilation speed is set to Speed 3
Values	1 -> Speed 3
Type of access to the Bus	Reading
Data point identification	1.002 (DPT_Bool)

- Enable use of +/- object for fan speed

Select whether you want to use Datapoint DPT 1.007 (0 = Decrease) or DTP 1.008 (0 = Increase).

Object number	17: Control Fan Speed +/-	
Description	This allows you to control the AC unit's ventilation speed	
Values	0 -> Decrease 1 -> Increase	0 -> Increase 1 -> Decrease
Type of access to the Bus	Write	
Data point identification	1.007 (DPT_Step)	1.008 (DPT_UpDown)

- Enable use of Text object for fan speed

Object number	65: Status Fan Speed Text
Description	This displays the AC unit's ventilation speed
Values	ASCII String
Type of access to the Bus	Reading
Data point identification	16.001 (DPT_String_8859_1)

Vanes Up-Down configuration

- DPT object types for Vanes Up-Down

Select whether you want to use Datapoint DPT 5.001 (percentage control) or DTP 5.010 (number control) for controlling and reading the status of the AC unit's slats:

5.001 (DPT_Scaling)	5.010 (DPT_Enumerated)
0%...29% -> Position 1	1 -> Position 1
30%...49% -> Position 2	2 -> Position 2
50%...69% -> Position 3	3 -> Position 3
70%...89% -> Position 4	4 -> Position 4
90%...100% -> Position 5	5 -> Position 5

- Enable use of text object for Vanes Up-Down

Object number	74: Status Vanes U-D texto
Description	This displays the position of the AC unit's slats
Values	ASCII String
Type of access to the Bus	Reading
Data point identification	16.001 (DPT_String_8859_1)

Temperature configuration

- Periodic sending of "Status_AC Setpoint" (in seconds, 0=No periodic sending)

Indicate how often you want the setpoint temperature status to be sent to the AC unit (in seconds).

- Enable use of +/-object for setpoint

Select whether you want to use Datapoint DPT 1.007 (0 = Decrease) or DTP 1.008 (0 = Increase).

Object number	28: Control Setpoint Temperature +/-	
Description	This allows you to raise or lower the setpoint temperature of the AC unit in increments of 1°C	
Values	0 -> Decrease 1 -> Increase	0 -> Increase 1 -> Decrease
Type of access to the Bus	Write	
Data point identification	1.007 (DPT_Step)	1.008 (DPT_UpDown)

- Enable limits on Control_Setpoint obj

Select the minimum and maximum setpoint temperature that can be set for the AC unit (in increments of 1°C).

Object number	30: Control Setpoint limitation	
Description	This allows you to enable the function to limit the AC unit's setpoint temperature	
Values	0 -> Disabled	1 -> Enabled
Type of access to the Bus	Write	
Data point identification	1.001 (DTP_Switch)	

Object number	80: Status Setpoint limitation	
Description	This shows whether the function to limit the AC unit's setpoint temperature is enabled	
Values	0 -> Disabled	1 -> Enabled
Type of access to the Bus	Reading	
Data point identification	1.001 (DTP_Switch)	

- Ambient temperature is provided from KNK

This enables/disables ambient temperature reading from a KNX device.

Object number	29: Control Ambient Temperature	
Description	This sends the ambient temperature measured from a KNX device to the indoor unit	
Values	(°C)	
Type of access to the Bus	Write	
Data point identification	9.001 (DTP_Value_Temp)	

Timeouts configuration

- Enable use of Open window. If you select Yes, object 32 will be enabled.
 - ◇ AC window Timeout (min). Select the time after which the AC unit will turn off, following the receipt of an open window warning (0) (from 0 to 255 minutes). If the window closes (1) during this time, the timer will be canceled.
 - ◇ Disallow On/Off operation when timeout is elapsed. Select whether you want to allow the AC unit to be switched on/off when the selected timeout has elapsed.

Object number	32: Control Window Contact Status	
Description	This displays the window contact status	
Values	0 -> Open	1 -> Closed
Type of access to the Bus	Write	
Data point identification	1.009 (DPT_OpenClose)	

- Enable use of Switch off timeout function. If you select Yes, object 33 will be enabled.
 - ◇ AC switch-off timeout (min). Select the time after which the AC unit will turn off, following the receipt of a warning that the switch has been activated (1) (from 0 to 255 minutes). If the switch is deactivated (0) during this time, the timer will be canceled.
 - ◇ Disallow On/Off operation when timeout is elapsed. Select whether you want to allow the AC unit to be switched on/off when the selected timeout has elapsed.

Object number	33: Control Switch Off timeout	
Description	This allows you to activate a timer for switching off the AC unit	
Values	0 -> Stop	1 -> Start
Type of access to the Bus	Write	
Data point identification	1.010 (DPT_Start)	

- Enable use of Occupancy Window. If you select Yes, object 34 will be enabled.
 - ◇ Timeout to applied actions (min). Select the time after which the AC unit will carry out the selected action, following the receipt of a warning that the contact has been activated (1) (from 0 to 255 minutes). If the contact is deactivated (0) during this time, the timer will be canceled.
 - ◇ Action after timeout elapsed. Select the action to be carried out after the timeout has elapsed: Switch off the AC unit or put it into unoccupied mode (the setpoint temperature will change by 1°C for each time interval set, up to a total of 3°C, after which the unit will be switched off).
 - ◇ Disallow On/Off operation when not occupied. Select whether you want to allow the AC unit to be switched on/off when the selected timeout has elapsed.

Object number	34: Control Occupancy	
Description	This allows you to activate the Unoccupied function in order to switch the AC unit off or put it into unoccupied mode	
Values	0 -> Not occupied	1 -> Occupied
Type of access to the Bus	Write	
Data point identification	1.018 (DPT_Occupancy)	

- Enable use of Sleep function. If you select Yes, object 35 will be enabled.
 - ◇ Slepp function switch-off timeout (min). Select the time after which the AC unit will turn off, following the receipt of a warning that the switch has been activated (0) (from 0 to 255 minutes). If the switch is deactivated (1) during this time, the timer will be canceled.

Object number	35: Control timeout Sleep	
Description	This allows you to activate a timer for switching off the AC unit	
Values	0 -> Stop	1 -> Start
Type of access to the Bus	Write	
Data point identification	1.010 (DPT_Start)	

Scenes configuration

- Enable use of scenes

Object number	37: Control save / scene	
Description	This allows you to save or execute scenes. Changing the value of the object will change the function and scene number	
Values	0..4 -> Exe Scene 1 to 5	128..132 -> Save Scene 1 to 5
Type of access to the Bus	Write	
Data point identification	18.001 (DPT_SceneControl)	

Object number	86: Status Current Scene	
Description	This displays the current scene being executed	
Values	0..4 -> 1 to 5	63 -> No scene
Type of access to the Bus	Reading	
Data point identification	17.001 (DPT_SceneNumber)	

- Enable use of bit object for storing scenes (you must have the Enable use of scenes parameter enabled)

Object number	38: Control Save Scene 1	
Description	This saves the AC unit's settings as Scene 1	
Values	1 -> Store Scene 1	
Type of access to the Bus	Write	
Data point identification	1.002 (DPT_Bool)	

Object number	39: Control Save Scene 2	
Description	This saves the AC unit's settings as Scene 2	
Values	1 -> Store Scene 2	
Type of access to the Bus	Write	
Data point identification	1.002 (DPT_Bool)	

Object number	40: Control Save Scene 3	
Description	This saves the AC unit's settings as Scene 3	
Values	1 -> Store Scene 3	
Type of access to the Bus	Write	
Data point identification	1.002 (DPT_Bool)	

Object number	41: Control Save Scene 4	
Description	This saves the AC unit's settings as Scene 4	
Values	1 -> Store Scene 4	
Type of access to the Bus	Write	
Data point identification	1.002 (DPT_Bool)	

Object number	42: Control Save Scene 5	
Description	This saves the AC unit's settings as Scene 5	
Values	1 -> Store Scene 5	
Type of access to the Bus	Write	
Data point identification	1.002 (DPT_Bool)	

- Enable use of bit object for scene execution (you must have the Enable use of scenes parameter enabled)

Object number	45: Execute Scene 3
Description	This executes Scene 3
Values	1-> Execute Scene 3
Type of access to the Bus	Write
Data point identification	1.002 (DPT_Bool)
Object number	46: Execute Scene 4
Description	This executes Scene 4
Values	1-> Execute Scene 4
Type of access to the Bus	Write
Data point identification	1.002 (DPT_Bool)
Object number	47: Execute Scene 5
Description	This executes Scene 5
Values	1-> Execute Scene 5
Type of access to the Bus	Write
Data point identification	1.002 (DPT_Bool)

Scene 1 / 2 / 3 / 4 (you must have the Enable use of scenes parameter enabled).

Select the scene ID (values available from 0 to 63). If you wish to configure each scene from ETS, activate the System Preset parameter and configure the values of each parameter for the desired AC unit:

- Value for On-Off: Select if you want to turn the AC unit on/off, or if you do not want to carry out any action.
- Value for mode: Select if you want to change the AC unit's operating mode, or if you do not want to carry out any action.
- Value for fan speed: Select if you want to change the AC unit's ventilation speed, or if you do not want to carry out any action.
- Value vanes U-D: Select if you want to modify the position of the AC unit's slats, or if you do not want to carry out any action.
- Value for Setpoint: Select if you want to change the AC unit's setpoint temperature (16 - 30°C), or if you do not want to carry out any action.

Inputs configuration

Enable the use of the Aidoo KNX digital inputs:

- Input 1: Communication objects 87 and 88.
- Input 2: Communication objects 89 and 90.
- Input 3: Communication objects 91 and 92.

The objects will behave differently depending on the configuration of each input.

Parameters available for configuring each digital input:

- Contact type. Defines the contact logic as Normally Open or Normally Closed.
- Debounce time. Select the debounce time (in milliseconds) required for the system to recognize there has been a change in the contact.
- Disabling input object. Select whether or not you want to enable the object that allows the input to be disabled if necessary ([communication objects 48, 49 and 50](#)). If yes, select whether you want to use Datapoint DPT 1.002 (0 = False) or DTP 1.003 (0 = Disable).
- Function. Select the digital input function of the Aidoo KNX:
 - ◊ Switching
 - » Send telegram after bus recovery. Select the action to be performed on this digital input after bus recovery (after a power failure): no action, off (0), on (1) or current status.
 - » Sending delay after bus recovery. If an action is selected, indicate the time delay for sending the telegram (in seconds).
 - » Value on raising Edge (contact activated). Select the action to be sent to the associated communication object, if it produces a rising edge (activated input): no action, off (0), on (1) or toggle.

- » Value on falling Edge (Contact deactivated). Select the action to be sent to the associated communication object, if it produces a falling edge (deactivated input): no action, off (0), on (1) or toggle.
- » Cyclical sending. Select if you want cyclical sending to occur depending on the status of the digital input: never, always, when the output value is Off, or when the output value is On.
 - Period for cyclical sending (s). If cyclical sending is selected, indicate the time period (in seconds) for this cycle.

◇ Dimming

- » Send telegram after bus recovery. Select the action to be performed on this digital input after bus recovery (after a power failure): no action, off (0) or on (1).
 - Sending delay after bus recovery. If an action is selected, indicate the time delay for sending the telegram (in seconds).
- » Mode for short (long) operation. Select the action for a short operation to be sent on a rising edge (activated input): toggle, off/decrease (0) or on/increase (1). A press and hold will result in either an increasing step or a decreasing step.
- » Increasing step. Select the percentage of the increasing step that will be sent for a long operation.
- » Decreasing step. Select the percentage of the decreasing step that will be sent for a long operation.
- » Short/long operation limit (ms). Defines the time that must elapse for the object to interpret that a long operation has occurred (in milliseconds).
- » Cyclical sending period in long operation (0-No cyclical sending) (ms). Defines the time (in seconds) during which the long operation must be executed.

◇ Shutter/blind

- » Send telegram after bus recovery. Select the action to be performed on this digital input after bus recovery (after a power failure): no action, increase (0) or decrease (1).
- » Sending delay after bus recovery. If an action is selected, indicate the time delay for sending the telegram (in seconds).
- » Operation. Select the action to be sent on a rising edge (activated input): increase (0), decrease (1) or toggle.
- » Method. Select the operating method for the shutter/blind: step-move-step or move-step.
 - Step-Move-Step. On a rising edge (activated input) a step telegram will be sent and the counter defined in "Short/long operation limit (ms)" (counter 1) will start. Note: No action will be taken if a falling edge (deactivated input) occurs during this time. If the rising edge is maintained for longer than the time defined in counter 1, a move telegram will be sent and a second counter, defined in "Vanes adjustment time (ms)" (counter 2), will start. If a falling edge (deactivated input) occurs during the time specified in this second counter, a step telegram will be sent. Note: No action will be taken if a falling edge (deactivated input) occurs after this time.
 - Move-Step. On a rising edge (activated input), a move telegram will be sent and counter 2 will start ("Vanes adjustment time" (ms)). If a falling edge (deactivated input) occurs during this time, a stop telegram will be sent. Note: No action will be taken if a falling edge (deactivated input) occurs after this time.
- » Shot/long operation limit (ms). Defines the time that must elapse (counter 1) between a short operation and a long operation (in milliseconds).
- » Vanes adjustment time (ms). Defines the time that must elapse (counter 2) before adjusting the slats or moving the shutter/blind (in milliseconds).

◇ Value

- » Send telegram after bus recovery. Select if you want to send an action (fixed value) on this digital input after bus recovery (after a power failure) or if you do not want to send any action.
 - Sending delay after bus recovery. If an action is selected, indicate the time delay for sending this telegram (in seconds).
- » DTP to be sent. Select the type of DTP to be sent:
 - DTP 5.010 (1 byte unsigned). Values: 0 ... 255
 - DTP 7.001 (2 bytes unsigned). Values: 0 ... 65535
 - DTP 8.001 (2 bytes signed). Values: -32768 ... 32767
 - DTP 9.001 (temperature). Values: 0 ... 255
 - DTP 12.001 (4 bytes unsigned). Values: 0 ... 4294967295
- » Value on raising edge (when contact activated). Defines the value to be sent when the contact is activated.

- ◇ Scene (internal). Activates a scene by activating the configured digital input.
 - » Scene when contact is activated. Select the scene that will be activated when the digital input is activated.
- ◇ Occupancy (interneel). Switches to Occupied mode when the configured digital input is activated.
- ◇ Window (interneel). Activates the Window Contact timer when this digital input is activated.

Communication objects

- Digital input status

Digital input I1

Object number 87: Status In1			
	Switching	Dimming On/Off	Blind step
Description	Displays the status of digital input I1 of the Aidoo KNX		
Values	0 -> Off 1 -> On	0 -> Off 1 -> On	0 -> Up 1 -> Down
Type of access to the Bus	Reading		
Data point identification	1.001 (DTP_Switch)	1.001 (DTP_Switch)	1.008 (DTP_UpDown)
Object number 88: Status In1			
	Value	Dimming step	Blind move
Description	Shows the value generated according to the behavior of the defined input		
Values	0 ... 255 0 ... 655335 -32768 ... 32767 0 ... 255 0 ... 4294967295	Regulation step	0 -> Up 1 -> Down
Type of access to the Bus	Reading		
Data point identification	5.010 (DTP_Value_1_Ucount) 7.001 (DTP_Value_2_Ucount) 8.001 (DTP_Value_2_Count) 9.001 (DTP_Value_Temp) 12.001 (DTP_Value_4_Ucount)	3.007 (DTP_Control_Dimm.)	1.008 (DTP_UpDown)

Digital input I2

Object number 89: Status In2			
	Switching	Dimmind On/Off	Blind step
Description	Displays the status of digital input I2 of the Aidoo KNX		
Values	0 -> Off 1 -> On	0 -> Off 1 -> On	0 -> Up 1 -> Down
Type of access to the Bus	Reading		
Data point identification	1.001 (DTP_Switch)	1.001 (DTP_Switch)	1.008 (DTP_UpDown)
Object number 90: Status In2			
	Value	Dimming step	Blind move
Description	Shows the value generated according to the behavior of the defined input		
Values	0 ... 255 0 ... 655335 -32768 ... 32767 0 ... 255 0 ... 4294967295	Regulation step	0 -> Up 1 -> Down
Type of access to the Bus	Reading		
Data point identification	5.010 (DTP_Value_1_Ucount) 7.001 (DTP_Value_2_Ucount) 8.001 (DTP_Value_2_Count) 9.001 (DTP_Value_Temp) 12.001 (DTP_Value_4_Ucount)	3.007 (DTP_Control_Dimm.)	1.008 (DTP_UpDown)

Digital input I3

Object number		91: Status In3		
	Switching	Dimmind On/Off	Blind step	
Description	Displays the status of digital input I3 of the Aidoo KNX			
Values	0 -> Off 1 -> On	0 -> Off 1 -> On	0 -> Up 1 -> Down	
Type of access to the Bus	Reading			
Data point identification	1.001 (DTP_Switch)	1.001 (DTP_Switch)	1.008 (DTP_UpDown)	

Object number		92: Status In3		
	Value	Dimming step	Blind move	
Description	Shows the value generated according to the behavior of the defined input			
Values	0 ... 255 0 ... 655335 -32768 ... 32767 0 ... 255 0 ... 4294967295	Regulation step	0 -> Up 1 -> Down	
Type of access to the Bus	Reading			
Data point identification	5.010 (DTP_Value_1_Ucount) 7.001 (DTP_Value_2_Ucount) 8.001 (DTP_Value_2_Count) 9.001 (DTP_Value_Temp) 12.001 (DTP_Value_4_Ucount)	3.007 (DTP_Control_Dimm.)	1.008 (DTP_UpDown)	

- Disable digital inputs

Object number		48: Control Disable Input 1		
Description	This allows the use of input I1 of the Aidoo KNX to be disabled			
Values	0 -> False 1 -> True	0 -> Disabled 1 -> Enabled		
Type of access to the Bus	Write			
Data point identification	1.002 (DPT_Bool)	1.003 (DTP_Enable)		

Object number		49: Control Disable Input 2		
Description	This allows the use of input I2 of the Aidoo KNX to be disabled			
Values	0 -> False 1 -> True	0 -> Disabled 1 -> Enabled		
Type of access to the Bus	Write			
Data point identification	1.002 (DPT_Bool)	1.003 (DTP_Enable)		

Object number		50: Control Disable Input 3		
Description	This allows the use of input I3 of the Aidoo KNX to be disabled			
Values	0 -> False 1 -> True	0 -> Disabled 1 -> Enabled		
Type of access to the Bus	Write			
Data point identification	1.002 (DPT_Bool)	1.003 (DTP_Enable)		

KNX parameters for Daikin

DAO PROTOCOL

Object number	Name	Values	Flags	Datapoint
1	Control On / Off	0 -> Off 1 -> On	W	DPT_Switch 1.001
2	Control Mode	0 -> Auto 1 -> Heat 3 -> Cool 9 -> Fan 14 -> Dry	W	DPT_HVACContrMode 20.105
3	Control Mode Cool / Heat	0 -> Cool 1 -> Heat	W	DPT_Heat/Cool 1.100
4	Control Mode Cool & On	0% -> Off 0.1% - 100% -> On + Cool	W	DPT_Scaling 5.001
5	Control Mode Heat & On	0% -> Off 0.1% - 100% -> On + Heat	W	DPT_Scaling 5.001
6	Control Mode Auto	1 -> Auto	W	DPT_Bool 1.002
7	Control Mode Heat	1 -> Heat	W	DPT_Bool 1.002
8	Control Mode Cool	1 -> Cool	W	DPT_Bool 1.002
9	Control Mode Fan	1 -> Fan	W	DPT_Bool 1.002
10	Control Mode Dry	1 -> Dry	W	DPT_Bool 1.002
11	Control Mode + / -	0 -> Decrease 1 -> Increase	W	DPT_Step 1.007
		0 -> Increase 1 -> Decrease	W	DPT_UpDown 1.008
12	Control Fan Speed / 3 Speeds	0% - 49% -> Speed 1 50% - 82% -> Speed 2 83% - 100% -> Speed 3	W	DPT_Scaling 5.001
		1 -> Speed 1 2 -> Speed 2 3 -> Speed 3	W	DPT_Enumerated 5.010
13	Control Fan Speed Man / Auto	1 -> Auto	W	DPT_Bool 1.002
14	Control Fan Speed 1	1 -> Activated	W	DPT_Bool 1.002
15	Control Fan Speed 2	1 -> Activated	W	DPT_Bool 1.002
16	Control Fan Speed 3	1 -> Activated	W	DPT_Bool 1.002
17	Control Fan Speed + / -	0 -> Decrease 1 -> Increase	W	DPT_Step 1.007
		0 -> Increase 1 -> Decrease	W	DPT_UpDown 1.008
19	Control Vanes U-D Standby	0 -> Deactivated 1 -> Activated	W	DPT_Bool 1.002
25	Control Vanes U-D Swing	0 -> Deactivated 1 -> Activated	W	DPT_Bool 1.002
27	Control Setpoint Temperature	Varies depending on manufacturer and type of AC unit	W	DPT_Value_Temp 9.001

Object number	Name	Values	Flags	Datapoint	
28	Control Setpoint Temp +/-	0 -> Decrease	W	DPT_Step	1.007
		1 -> Increase			
		0 -> Increase	W	DPT_UpDown	1.008
		1 -> Decrease			
30	Control Setpoint limitation	0 -> Disabled	W	DPT_Switch	1.001
		1 -> Enabled			
33	Control Switch Off Timeout	0 -> Stop	W	DPT_Start	1.010
		1 -> Start			
35	Control Sleep Timeout	0 -> Stop	W	DPT_Start	1.010
		1 -> Start			
51	Status On / Off	0 -> Off	R	DPT_Switch	1.001
		1 -> On			
52	Status Mode	0 -> Auto	R	DPT_HVACContrMode	20.105
		1 -> Heat			
		3 -> Cool			
		9 -> Fan			
		14 -> Dry			
53	Status Mode Cool / Heat	0 -> Cool	R	DPT_Heat/Cool	1.100
		1 -> Heat			
54	Status Mode Auto	1 -> Auto	R	DPT_Bool	1.002
55	Status Mode Heat	1 -> Heat	R	DPT_Bool	1.002
56	Status Mode Cool	1 -> Cool	R	DPT_Bool	1.002
57	Status Mode Fan	1 -> Fan	R	DPT_Bool	1.002
58	Status Mode Dry	1 -> Dry	R	DPT_Bool	1.002
59	Status Mode Text	ASCII String	R	DPT_String_8859_1	16.001
60	Status Fan Speed / 3 Speeds	33% -> Speed 1	R	DPT_Scaling	5.001
		67% -> Speed 2			
		100% -> Speed 3			
		1 -> Speed 1			
		2 -> Speed 2			
3 -> Speed 3					
61	Status Fan Speed Manual / Auto	0 -> Manual	R	DPT_Bool	1.002
		1 -> Auto			
62	Status Fan Speed 1	1 -> Speed 1	R	DPT_Bool	1.002
63	Status Fan Speed 2	1 -> Speed 2	R	DPT_Bool	1.002
64	Status Fan Speed 3	1 -> Speed 3	R	DPT_Bool	1.002
65	Status Fan Speed Text	ASCII String	R	DPT_String_8859_1	16.001
73	Status Vanes U-D Swing	0 -> Deactivated	R	DPT_Bool	1.002
		1 -> Activated			
75	Status AC Setpoint Temperature	Varies depending on manufacturer and type of AC unit	R	DPT_Value_Temp	9.001
77	Internal probe temperature	Varies depending on manufacturer and type of AC unit	R	DPT_Value_Temp	9.001
78	External probe temperature	Varies depending on manufacturer and type of AC unit	R	DPT_Value_Temp	9.001
80	Status Setpoint limitation	0 -> Disabled	R	DPT_Switch	1.001
		1 -> Enabled			
81	Status Error / Alarm	0 -> No error / alarm	R	DPT_Alarm	1.005
		1 -> An error / alarm has occurred			

Object number	Name	Values	Flags	Datapoint	
82	Error text code	Varies depending on manufacturer and type of AC unit	R	DPT_String_8859_1	16.001
	Status In1 – Switching	0 -> Off 1 -> On	R	DPT_Switch	1.001
87	Status In1 – Dimming On / Off	0 -> Off 1 -> On	R	DPT_Switch	1.001
	Status In1 – Blind Step	0 -> Up 1 -> Down	R	DPT_UpDown	1.008
	Status In1 – Value	1 byte unsigned	R	DPT_Value_1_Ucount	5.010
	Status In1 – Value	2 byte unsigned	R	DPT_Value_2_Ucount	7.001
	Status In1 – Value	2 byte signed	R	DPT_Value_2_Count	8.001
88	Status In1 – Value	Temperature (°C)	R	DPT_Value_Temp	9.001
	Status In1 – Value	4 byte unsigned	R	DPT_Value_4_Ucount	12.001
	Status In1 – Dimming Step	Dimming step	R	DPT_Control_Dimm.	3.007
	Status In1 – Blind Move	0 -> Up 1 -> Down	R	DPT_UpDown	1.008
	Status In2 – Switching	0 -> Off 1 -> On	R	DPT_Switch	1.001
89	Status In2 – Dimming On / Off	0 -> Off 1 -> On	R	DPT_Switch	1.001
	Status In2 – Blind Step	0 -> Up 1 -> Down	R	DPT_UpDown	1.008
	Status In2 – Value	1 byte unsigned	R	DPT_Value_1_Ucount	5.010
	Status In2 – Value	2 byte unsigned	R	DPT_Value_2_Ucount	7.001
	Status In2 – Value	2 byte signed	R	DPT_Value_2_Count	8.001
90	Status In2 – Value	Temperature (°C)	R	DPT_Value_Temp	9.001
	Status In2 – Value	4 byte unsigned	R	DPT_Value_4_Ucount	12.001
	Status In2 – Dimming Step	Dimming step	R	DPT_Control_Dimm.	3.007
	Status In2 – Blind Move	0 -> Up 1 -> Down	R	DPT_UpDown	1.008
	Status In3 – Switching	0 -> Off 1 -> On	R	DPT_Switch	1.001
91	Status In3 – Dimming On / Off	0 -> Off 1 -> On	R	DPT_Switch	1.001
	Status In3 – Blind Step	0 -> Up 1 -> Down	R	DPT_UpDown	1.008
	Status In3 – Value	1 byte unsigned	R	DPT_Value_1_Ucount	5.010
	Status In3 – Value	2 byte unsigned	R	DPT_Value_2_Ucount	7.001
	Status In3 – Value	2 byte signed	R	DPT_Value_2_Count	8.001
92	Status In3 – Value	Temperature (°C)	R	DPT_Value_Temp	9.001
	Status In3 – Value	4 byte unsigned	R	DPT_Value_4_Ucount	12.001
	Status In3 – Dimming Step	Dimming step	R	DPT_Control_Dimm.	3.007
	Status In3 – Blind Move	0 -> Up 1 -> Down	R	DPT_UpDown	1.008

DA1 PROTOCOL

Object number	Name	Values	Flags	Datapoint
1	Control On / Off	0 -> Off 1 -> On	W	DPT_Switch 1.001
2	Control Mode	0 -> Auto 1 -> Heat 3 -> Cool 9 -> Fan 14 -> Dry	W	DPT_HVACContrMode 20.105
3	Control Mode Cool / Heat	0 -> Cool 1 -> Heat	W	DPT_Heat/Cool 1.100
4	Control Mode Cool & On	0% -> Off 0.1% - 100% -> On + Cool	W	DPT_Scaling 5.001
5	Control Mode Heat & On	0% -> Off 0.1% - 100% -> On + Heat	W	DPT_Scaling 5.001
6	Control Mode Auto	1 -> Auto	W	DPT_Bool 1.002
7	Control Mode Heat	1 -> Heat	W	DPT_Bool 1.002
8	Control Mode Cool	1 -> Cool	W	DPT_Bool 1.002
9	Control Mode Fan	1 -> Fan	W	DPT_Bool 1.002
10	Control Mode Dry	1 -> Dry	W	DPT_Bool 1.002
11	Control Mode +/-	0 -> Decrease 1 -> Increase	W	DPT_Step 1.007
		0 -> Increase 1 -> Decrease	W	DPT_UpDown 1.008
12	Control Fan Speed / 3 Speeds	0% - 49% -> Speed 1 50% - 82% -> Speed 2 83% - 100% -> Speed 3	W	DPT_Scaling 5.001
		1 -> Speed 1 2 -> Speed 2 3 -> Speed 3	W	DPT_Enumerated 5.010
		1 -> Auto	W	DPT_Bool 1.002
14	Control Fan Speed 1	1 -> Activated	W	DPT_Bool 1.002
15	Control Fan Speed 2	1 -> Activated	W	DPT_Bool 1.002
16	Control Fan Speed 3	1 -> Activated	W	DPT_Bool 1.002
17	Control Fan Speed +/-	0 -> Decrease 1 -> Increase	W	DPT_Step 1.007
		0 -> Increase 1 -> Decrease	W	DPT_UpDown 1.008
18	Control Vanes U-D / 5 Pos	0%...29% -> Position 1 30%...49% -> Position 2 50%...69% -> Position 3 70%...89% -> Position 4 90%...100% -> Position 5	W	DPT_Scaling 5.001
		1 -> Position 1 2 -> Position 2 3 -> Position 3 4 -> Position 4 5 -> Position 5	W	DPT_Enumerated 5.010

Object number	Name	Values	Flags	Datapoint
19	Control Vanes U-D Standby	0 -> Deactivated 1 -> Activated	W	DPT_Bool 1.002
20	Control Vanes U-D Pos 1	1 -> Activated	W	DPT_Bool 1.002
21	Control Vanes U-D Pos 2	1 -> Activated	W	DPT_Bool 1.002
22	Control Vanes U-D Pos 3	1 -> Activated	W	DPT_Bool 1.002
23	Control Vanes U-D Pos 4	1 -> Activated	W	DPT_Bool 1.002
24	Control Vanes U-D Pos 5	1 -> Activated	W	DPT_Bool 1.002
25	Control Vanes U-D Swing	0 -> Deactivated 1 -> Activated	W	DPT_Bool 1.002
26	Control Vanes U-D +/-	0 -> Decrease 1 -> Increase	W	DPT_Step 1.007
		0 -> Increase 1 -> Decrease	W	DPT_UpDown 1.008
27	Control Setpoint Temperature	Varies depending on manufacturer and type of AC unit	W	DPT_Value_Temp 9.001
28	Control Setpoint Temp +/-	0 -> Decrease 1 -> Increase	W	DPT_Step 1.007
		0 -> Increase 1 -> Decrease	W	DPT_UpDown 1.008
29	Control Ambient Temperature	(°C)	W	DPT_Value_Temp 9.001
30	Control Setpoint limitation	0 -> Disabled 1 -> Enabled	W	DPT_Switch 1.001
33	Control Switch Off Timeout	0 -> Stop 1 -> Start	W	DPT_Start 1.010
35	Control Sleep Timeout	0 -> Stop 1 -> Start	W	DPT_Start 1.010
51	Status On / Off	0 -> Off 1 -> On	R	DPT_Switch 1.001
52	Status Mode	0 -> Auto 1 -> Heat 3 -> Cool 9 -> Fan 14 -> Dry	R	DPT_HVACContrMode 20.105
		0 -> Cool 1 -> Heat	R	DPT_Heat/Cool 1.100
		1 -> Auto	R	DPT_Bool 1.002
		1 -> Heat	R	DPT_Bool 1.002
56	Status Mode Cool	1 -> Cool	R	DPT_Bool 1.002
57	Status Mode Fan	1 -> Fan	R	DPT_Bool 1.002
58	Status Mode Dry	1 -> Dry	R	DPT_Bool 1.002
59	Status Mode Text	ASCII String	R	DPT_String_8859_1 16.001
60	Status Fan Speed / 3 Speeds	33% -> Speed 1 67% -> Speed 2 100% -> Speed 3	R	DPT_Scaling 5.001
		1 -> Speed 1 2 -> Speed 2 3 -> Speed 3	R	DPT_Enumerated 5.010
		0 -> Manual 1 -> Auto	R	DPT_Bool 1.002
		0 -> Manual 1 -> Auto	R	DPT_Bool 1.002

Object number	Name	Values	Flags	Datapoint
62	Status Fan Speed 1	1 -> Speed 1	R	DPT_Bool 1.002
63	Status Fan Speed 2	1 -> Speed 2	R	DPT_Bool 1.002
64	Status Fan Speed 3	1 -> Speed 3	R	DPT_Bool 1.002
65	Status Fan Speed Text	ASCII String	R	DPT_String_8859_1 16.001
66	Status Vanes U-D / 5 Pos	20% -> Position 1	R	DPT_Scalling 5.001
		40% -> Position 2		
		60% -> Position 3		
		80% -> Position 4		
		100% -> Position 5		
		1 -> Position 1		
67	Status Vanes U-D Standby	2 -> Position 2	R	DPT_Enumerated 5.010
		3 -> Position 3		
		4 -> Position 4		
		5 -> Position 5		
		0 -> Deactivated		
68	Status Vanes U-D Pos 1	1 -> Activated	R	DPT_Bool 1.002
69	Status Vanes U-D Pos 2	1 -> Position 1	R	DPT_Bool 1.002
70	Status Vanes U-D Pos 3	1 -> Position 2	R	DPT_Bool 1.002
71	Status Vanes U-D Pos 4	1 -> Position 3	R	DPT_Bool 1.002
72	Status Vanes U-D Pos 5	1 -> Position 4	R	DPT_Bool 1.002
73	Status Vanes U-D Swing	0 -> Deactivated	R	DPT_Bool 1.002
		1 -> Activated		
74	Status Vanes U-D text	ASCII String	R	DPT_String_8859_1 16.001
75	Status AC Setpoint Temperature	Varies depending on manufacturer and type of AC unit	R	DPT_Value_Temp 9.001
76	Status AC Return Temperature	Varies depending on manufacturer and type of AC unit	R	DPT_Value_Temp 9.001
77	Internal probe temperature	Varies depending on manufacturer and type of AC unit	R	DPT_Value_Temp 9.001
78	External probe temperature	Varies depending on manufacturer and type of AC unit	R	DPT_Value_Temp 9.001
80	Status Setpoint limitation	0 -> Disabled	R	DPT_Switch 1.001
		1 -> Enabled		
81	Status Error / Alarm	0 -> No error / alarm	R	DPT_Alarm 1.005
		1 -> An error / alarm has occurred		
82	Error text code	Varies depending on manufacturer and type of AC unit	R	DPT_String_8859_1 16.001
84	Status Lock Remote Control	0 -> Unlocked	R	DPT_Bool 1.002
		1 -> Locked		
87	Status In1 – Switching	0 -> Off	R	DPT_Switch 1.001
		1 -> On		
87	Status In1 – Dimming On / Off	0 -> Off	R	DPT_Switch 1.001
		1 -> On		
87	Status In1 – Blind Step	0 -> Up	R	DPT_UpDown 1.008
		1 -> Down		

Object number	Name	Values	Flags	Datapoint	
88	Status In1 – Value	1 byte unsigned	R	DPT_Value_1_Ucount	5.010
	Status In1 – Value	2 byte unsigned	R	DPT_Value_2_Ucount	7.001
	Status In1 – Value	2 byte signed	R	DPT_Value_2_Count	8.001
	Status In1 – Value	Temperature (°C)	R	DPT_Value_Temp	9.001
	Status In1 – Value	4 byte unsigned	R	DPT_Value_4_Ucount	12.001
	Status In1 – Dimming Step	Dimming step	R	DPT_Control_Dimm.	3.007
	Status In1 – Blind Move	0 -> Up 1 -> Down	R	DPT_UpDown	1.008
89	Status In2 – Switching	0 -> Off 1 -> On	R	DPT_Switch	1.001
	Status In2 – Dimming On / Off	0 -> Off 1 -> On	R	DPT_Switch	1.001
	Status In2 – Blind Step	0 -> Up 1 -> Down	R	DPT_UpDown	1.008
90	Status In2 – Value	1 byte unsigned	R	DPT_Value_1_Ucount	5.010
	Status In2 – Value	2 byte unsigned	R	DPT_Value_2_Ucount	7.001
	Status In2 – Value	2 byte signed	R	DPT_Value_2_Count	8.001
	Status In2 – Value	Temperature (°C)	R	DPT_Value_Temp	9.001
	Status In2 – Value	4 byte unsigned	R	DPT_Value_4_Ucount	12.001
	Status In2 – Dimming Step	Dimming step	R	DPT_Control_Dimm.	3.007
	Status In2 – Blind Move	0 -> Up 1 -> Down	R	DPT_UpDown	1.008
91	Status In3 – Switching	0 -> Off 1 -> On	R	DPT_Switch	1.001
	Status In3 – Dimming On / Off	0 -> Off 1 -> On	R	DPT_Switch	1.001
	Status In3 – Blind Step	0 -> Up 1 -> Down	R	DPT_UpDown	1.008
92	Status In3 – Value	1 byte unsigned	R	DPT_Value_1_Ucount	5.010
	Status In3 – Value	2 byte unsigned	R	DPT_Value_2_Ucount	7.001
	Status In3 – Value	2 byte signed	R	DPT_Value_2_Count	8.001
	Status In3 – Value	Temperature (°C)	R	DPT_Value_Temp	9.001
	Status In3 – Value	4 byte unsigned	R	DPT_Value_4_Ucount	12.001
	Status In3 – Dimming Step	Dimming step	R	DPT_Control_Dimm.	3.007
	Status In3 – Blind Move	0 -> Up 1 -> Down	R	DPT_UpDown	1.008