

## AZVAFZMOGHCR - Wireless zone module with GHC communication

Location:	Approval:
Engineer:	Date:
Submitted to:	Construction:
Submitted by:	Unit #:
Reference:	Drawing #:
Additional Info:	

### MODEL DESCRIPTION

Module for controlling individual direct expansion units through Airzone communication gateway (for more information, see the technical datasheet of the gateway). Wireless communications with zone thermostat. Powered through system Airzone connection bus. Mounted on DIN rail or on wall.

#### Features:

- Input for detection of open windows.
- Input for detection of presence.
- Probe input.

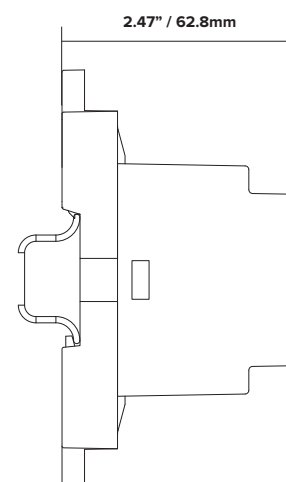
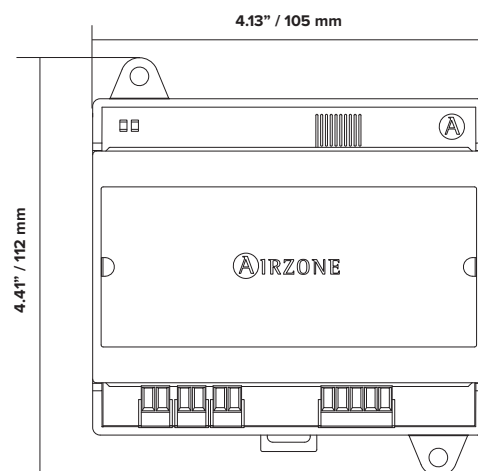


[Click to download](#)

### TECHNICAL SPECS

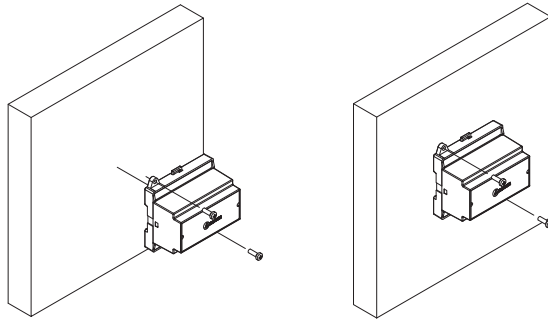
<b>Power supply and consumption</b>	
Type of power supply	Vdc
V max	12 Vdc
I max	0.5 A
Stand-by consumption	0.4 W
<b>Airzone connection bus</b>	
Shielded and twisted Airzone bus cable	2 x AWG 24 + 2 x AWG 20 (2 x 0.20 + 2 x 0.5 mm <sup>2</sup> )
Maximum distance	328 ft (100 m)
<b>Wireless communications</b>	
Radiation power	0 dBm
Maximum distance in open space	49 ft (15 m)
Frequency	915 MHz
<b>Digital inputs</b>	
Window and presence contacts	Voltage-free
Maximum distance	33 ft (10 m)
Analog input	NTC 10 KΩ 77°F (25°C)
Maximum distance	10 ft (3 m)
<b>Mechanical aspects</b>	
Assembly	On DIN rail or on wall
Maximum Operating Height	6561.7 ft (2000 m)
In DIN units	6
Weight	0.57 lb (0.26 kg)

### DIMENSIONAL DRAWINGS

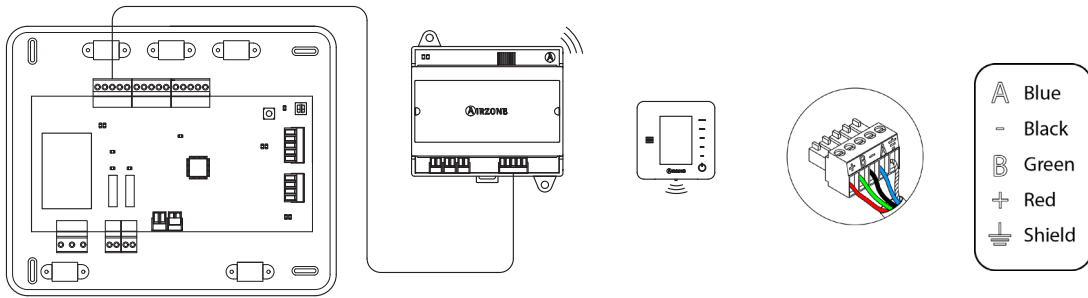


### INSTALLATION

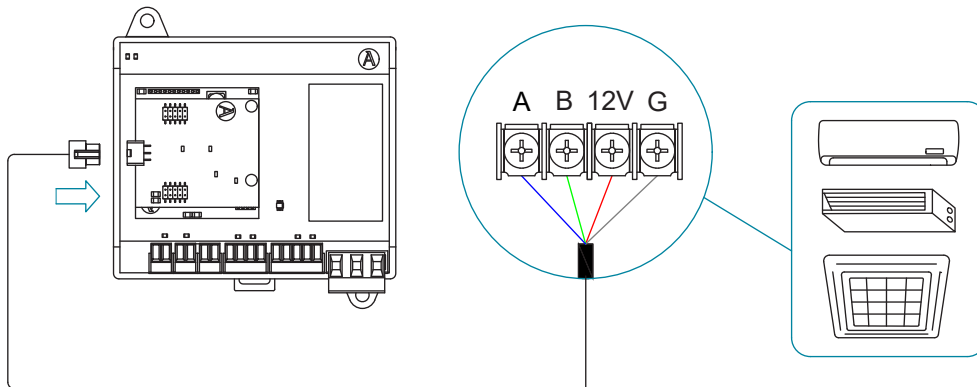
1.



2.



3.



### SPARE PARTS

- AZPV8WIRE07 - Connection to Indoor unit 8.2 ft (2.5 m) / AWG 24 - 6 wired (6x0.2 mm<sup>2</sup>)
- AZX8GTCGHC - Airzone-GHC controller Gateway

### ACCESSORIES

- AZX6CBLBUS300FT - Airzone Shielded Bus Cable UL444 (2x0.22 mm<sup>2</sup> + 2x0.5 mm<sup>2</sup>; 100m / AWG 23-2 wired + AWG 20-2 wired; 300ft)
- AZPV8WIREU - Universal 6-pin 8.2 ft (2.5 m) extension cable for Airzone gateway / Aidoo



Marie Curie, 21  
29590 Málaga, Spain

