

ZBS Zoning Solution

Comfort and efficiency with the latest HVAC control technology



Independent temperatures

Independent temperature control for each room according to user's needs.



Eco-friendly

Zoning systems require less refrigerant gas to work, reducing environmental impact.



Savings

The combined performance of ZBS Zoning System and ducted AC units can achieve energy savings of up to 53%.



VRF & Inverter

ZBS system is the only technology compatible with High Efficiency Variable Capacity Units.



Air conditioning integration

Easily integrate the AC within the leading Home Automation and BMS systems.

What is zoning with ZBS?

Zoning means getting different temperatures with one single ducted unit, saving energy and simplifying the application. The combination of the ZBS system and the AC units of Mitsubishi Electric provides superior comfort to each zone.

What is the ZBS system composed of?

Airzone controllers



A fully - equipped thermostat per room to allow every user to select the temperature.

Main control board



One main control board with a specific integrated communication gateway per ducted AC unit.

Relay box



Each one can control up to 5 zones. Select either one or two relay boxes for zone supplemental heating.

Smart round motorized damper



One smart round damper with mechanical air-flow regulation per controlled outlet.

Webserver HUB Airzone



Control via Web or App up to 32 ZBS systems. Control the temperature of your home or office from your connected device. Also compatible with the latest BMS/HA systems such as BACnet or Modbus.



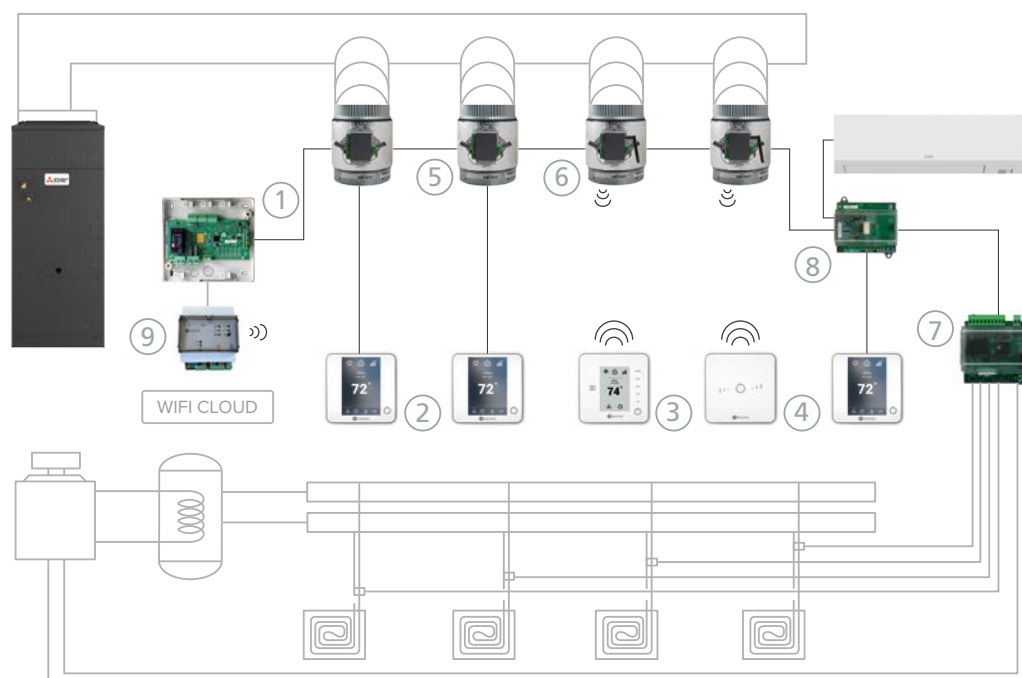
Residential and Commercial

Guidelines

System composition per ducted indoor unit:

1. Always select one Airzone ZBS Main Board Controller with an integrated Airzone to Mitsubishi Electric communication gateway **AZZBSCB2MEL**.
2. Always select one Blueface Main Controller **AZZBSBLUEFACECB**.
3. Select a Zone Controller for each zone except for the main one that already has a main Blueface Controller selected. These Zone Controllers could be either wired **AZZBSBLUEFACECB**, wireless **AZZBSTHINKRB** or **AZZBSLITE[C/R]B**. Note that the system can control up to 10 zones.
4. Select the number of smart round motorized dampers as needed (max. 10). They could be wired or wireless, depending on the user's needs.

Wiring diagram



#	Reference	Description	Units
1	AZZBSCB2MEL	Airzone ZBS Control board with Mitsubishi Electric communication region 2	1
2	AZZBSBLUEFACECB	Airzone ZBS wired Blueface principal controller white	3
3	AZZBSTHINKRB	Airzone ZBS wireless Think controller white	1
4	AZZBSLITERB	Airzone ZBS wireless Lite controller white	1
5	AZZBSDAMPER[XX]C	Airzone ZBS [XX] wired intelligent round damper	2
6	AZZBSDAMPER[XX]R	Airzone ZBS [XX] wireless intelligent round damper	2
7	AZZBS5OUTPUTS	Airzone ZBS relay radiant heat control module	1
8	AZZBSZMOMELC	Airzone ZBS wired zone module with Mitsubishi Electric communication	1
9	AZX6WSPHUB	Webserver HUB Airzone Cloud Dual 2.4-5G/Ethernet	1

Engineered and
developed by

AIRZONE

