

HVAC Zoning Solutions for Inverter/VRF

AIRZONE VAF
EASYZONE



Zoning solutions for residential and commercial applications



Independent temperatures

Independent temperature control for each room according to user's needs.



Eco-friendly

Zoning systems require less refrigerant gas to work, reducing environmental impact.



Savings

The combined performance of Airzone Integrated Zoning Systems and ducted AC units can achieve savings of up to 53%.



VRF & Inverter

Airzone systems are the only ones to work with High Efficiency Variable Capacity Units.



Air conditioning integration

Easily integrate the AC within the leading Home Automation and BMS systems.

Airzone Integrated Zoning Systems, **VAF and Easyzone**, provide superior comfort to each zone with the AC units of leading HVAC manufacturers through one single ducted unit.

VAF

What is VAF composed of?

Airzone controllers



A fully - equipped smart thermostat per room to allow every user to select the temperature. Also available in black.

Main control board

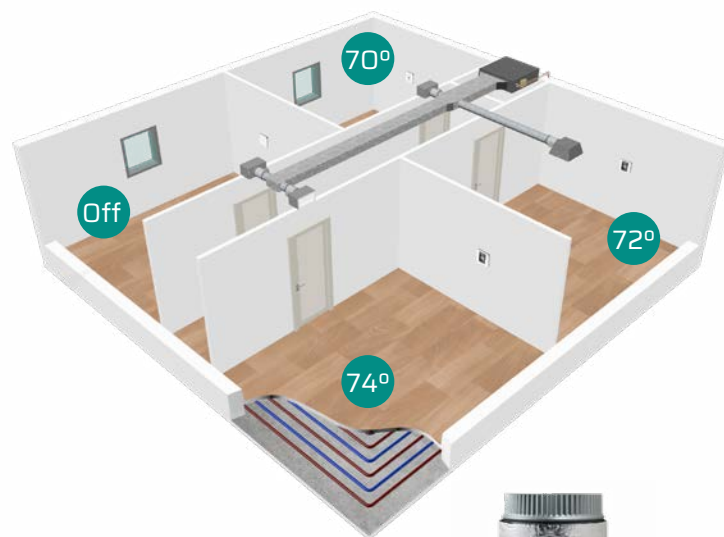


One main control board with a specific integrated communication gateway per ducted AC unit.

Zone supplemental heating relay box



Each one can control up to 5-zones of heating through dry-contacts. Compatible with radiant heating, baseboard heating, hydronic panel radiators.



Smart round motorized damper



One smart round damper with mechanical air-flow regulation per controlled outlet.

Webserver HUB Airzone

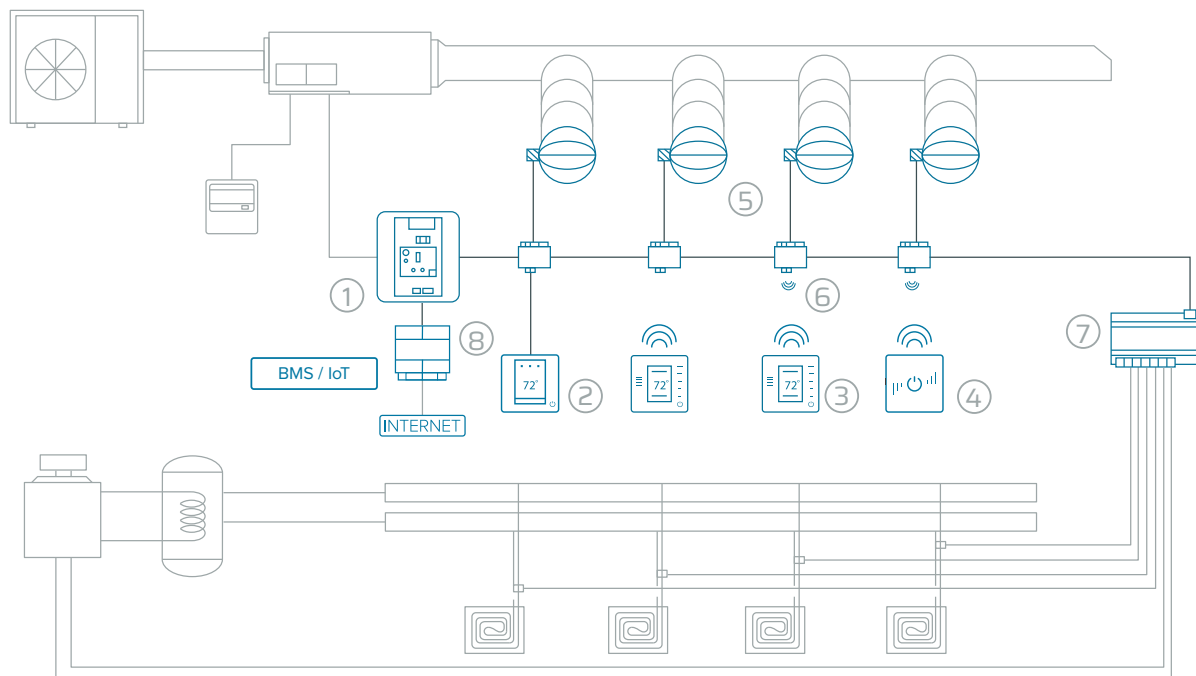


Control via Web or App up to 32 systems. Control the temperature of your home or office from your connected device. Also compatible with the latest BMS/HA systems such as BACnet and Lutron.

Guidelines

Airzone VAF Zoning Solution is compatible with the ducted and ductless indoor units.

1. Always select one Airzone VAF Controller with an integrated communications gateway **AZVAFCB2XXX**.
2. Always select one Blueface Main Controller **AZVAFBLUEZEROCB**.
3. Select a Zone Controller for each zone except for the main one that already has a main Blueface Controller selected. These Zone Controllers could be either wired **AZVAFLITECB** or wireless **AZVAFTHINKRB / AZVAFLIBRB**. Note that the system can control up to 10 zones.
4. Select as many smart motorized dampers as needed, up to 10. They could be wired or wireless, depending on the user's needs.



Reference	Description	Qty
1 AZVAFCB2[XXX]	Airzone VAF Control board with [Brand] communication region 2	1
2 AZVAFBLUEZEROCB	Airzone Blueface Zero VAF wired controller white	1
3 AZVAFTHINKRB	Airzone VAF wireless Think controller white	1
4 AZVAFLIBRB	Airzone VAF wireless Lite controller white	1
5 AZVAFDAMPER [06/08/10/12/14]C	Airzone VAF [06/08/10/12/14 inches] wired intelligent round damper	2
6 AZVAFDAMPER[06/08/10/12/14]R	Airzone VAF [06/08/10/12/14 inches] wireless intelligent round damper	2
7 AZVAF5OUTPUTS	Airzone VAF relay radiant heat control module	1
8 AZX6WSPHUB	Webserver HUB Airzone Cloud Ethernet - Wi-Fi	1

Replace [XXX] with the code corresponding to the brand:

DA0 = Daikin Residential
DA1 = Daikin Sky Air/VRV
FU2 = Fujitsu UART

GRE = Gree U-Match R410A
GR1 = Gree U-Match R32
HS1 = Hisense 1x1

HS2 = Hisense VRF
LGE = LG
MD1 = Midea V5

MEL = Mitsubishi Electric
MHI = Mitsubishi Heavy
PAN = Panasonic PACi

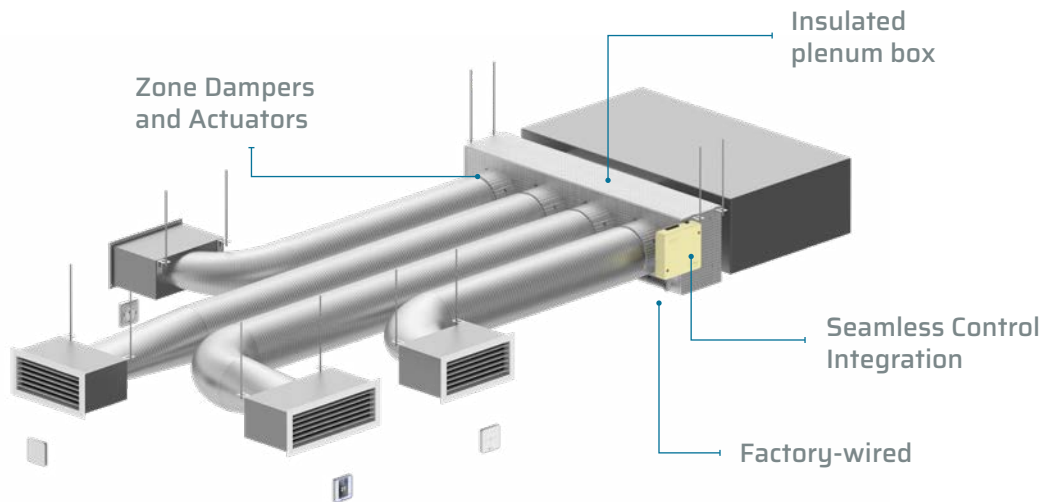
SA2 = Samsung Nasa
TOS = Toshiba

Easyzone

All-in-one plug & play zoning box

The **Plug&Play all-in-one zoning solution** for ducted HVAC units. The highly efficient Easyzone system regulates the temperature in up to **6 zones** independently when there is demand. It controls the indoor unit, adapting its set-point temperature and power output according to the zone status. This means that with Easyzone, **energy is only used in the occupied zones.**

So, thermal comfort is maximized in every zone at the same time with **energy efficiency** and **savings** in installation and maintenance costs.



TOP FEATURES

- Allows **independent zone** control.
- Airflow **control algorithm.**
- Premium aesthetic design **touch-screen thermostats.**
- Control from anywhere, anytime through the **Airzone Cloud App.**
- **Cloud and Voice control** through the Airzone Webserver.

Integration

Airzone allows you to **integrate the entire HVAC application with the main home automation and BMS systems** also by giving access to the latest IoT trends such as voice control.



Airzone Tech Support

1-866-797-1797 (Mon-Fri 8:30 am-5pm EST)

airzonecontrol.com

